

LEDlink

LinkS300 RGB

LED STRIPES

RGB
10 mm width
double-sided 3M VHB™ tape



CUSTOM
APPLICATIONS



ADVERTISING
SOLUTIONS



FURNITURE
BACKLIGHT

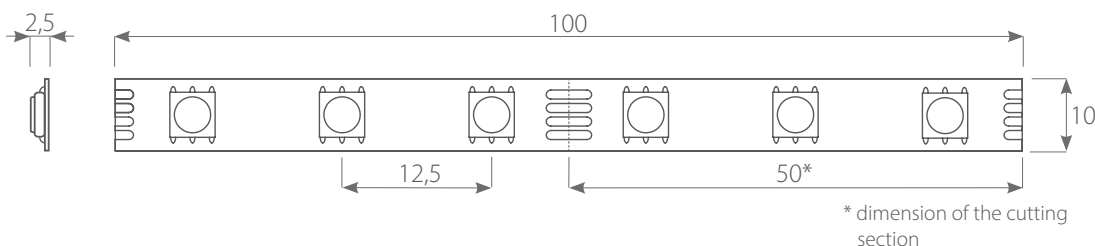


ARCHITECTURAL
BACKLIGHT

Typical applications: edge lighting in industry advertising | small spatial letters

LinkS₃₀₀ RGB is a RGB stripe with 300 diodes per 5m roll. It is excellent for very light lighting of light boxes, POS systems, furniture and elements of interior design. A separate RGB controller is required for proper operation. For larger projects an RGB amplifier must be added. Double-sided 3M™ industrial adhesive tape on the back is used for assembly. The LinkS₃₀₀ RGB stripes are powered by 12 VDC and have a 3 year warranty.

DIMENSION [mm]



Distributor:
STEJA lighting
www.steja.de



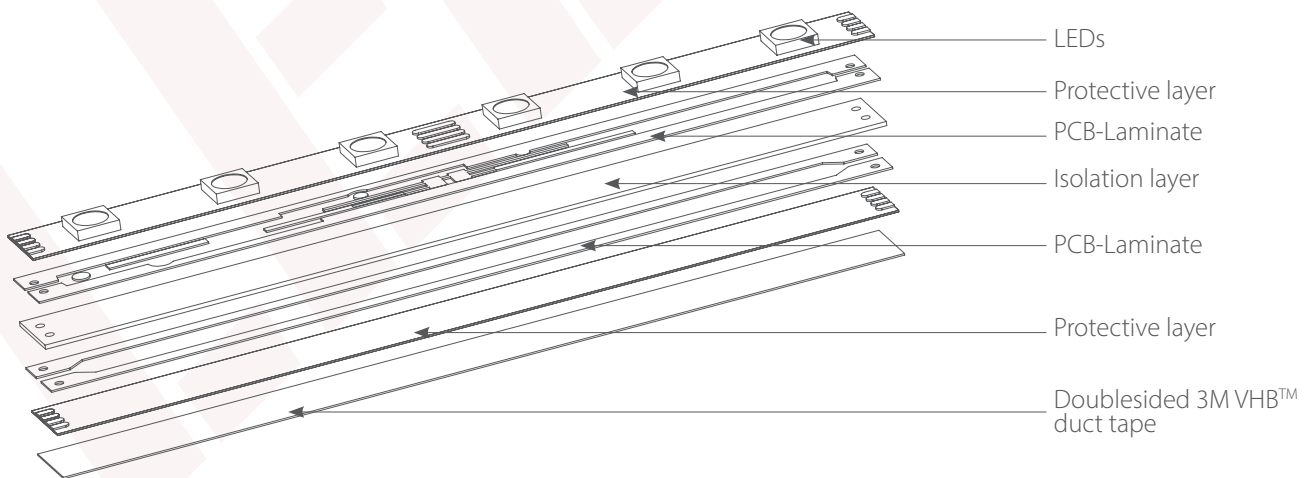
www.ledlink.de
info@ledlink.de



TECHNICAL DATA

Type	LinkS ₃₀₀
	RGB
Symbol	T120400
Color	multikolor RGB
Voltage [V DC]	12
Current [mA/1m]	1000 ~ 1200
Power consumption [W]	14,4 (±5%)
Luminous flux [lm]	-
Light output [lm/W]	-
Beam angle [°]	120
Protection degree	IP20
Color temperature [K]	-
Wavelength [µm]	R: 620 / G: 520 / B: 460
Operating temperature [°C]	-10 - +40
LEDs	SMD5060
LED quantity [pcs./m]	60
Partial [cm]	5
Lifetime [h]	30.000
Warranty [months]	36
Packing [m]	5

CONSTRUCTION



Supply method: The maximum length of the section fed in series is 5m.
On request, possible sections: 30m or 50m

